



Swimming pool

Planning, construction and installation of prefabricated elements on site

Reference

Hofbad Aquatic Centre

Customer

Imabo Breda B.V.

Location

Den Haag, the Netherlands

Year

2012

Type of project
Renovation

The new Hofbad Aquatic Centre swimming pool on the edge of the Ypenburg development area is to become the new landmark for the city of Den Haag. The centre was built as a multi-functional and sustainable water-sports centre that is in keeping with the municipality's new motto: Den Haag, the global city by the sea. The architectural firm VenhoevenCS from Amsterdam was responsible for the design and the construction and decided, together with the construction group De Kok from Breda, to use wedi form elements.

Architect VenhoevenCS architecture + urbanism, Amsterdam

Contractor The city of Den Haag

Tradesman De Kok Bouwgroep, Breda



Short description

Hofbad Aquatic Centre

The swimming pool was constructed by the municipality between June 2010 and October 2012 to be a sporting meeting place for all residents of that part of the city. But not only that, it will also serve as a venue for hosting both national and international sporting competitions in swimming and water polo.

It has a 50-metre, competition-sized swimming pool, a stand accommodating 500 spectators, four diving boards, a 5-metre high diving platform, a beginners'/learners' pool as well as a large leisure pool. The leisure pool has a slide, a whirlpool, a wild-water slide and a kiddie's pool for the youngest guests.



Used Products

Individual Products

A place to sit that winds and turns its way through the water, while also serving as a pool divider. Milled grooves, bored holes and reinforcing boards are carried out and implemented in the factory and ready for the aquatic centre technology to be installed on site. It makes a place to sit into a fun-to-visit bubble pool. It has an overall exterior length of 7.24m which is made of 4 individual form elements.

A whirlpool made of individually manufactured wedi form modules that were prepared in the factory so as to be used as an extension in the form of a bubble bench. Stairs included. Diameter is a good 3.5 metres.

Underwater stairs allow visitors to go from one pool to the next. The width of the stairs on one side: more than 2 metres, 3.5 metres on the other side.

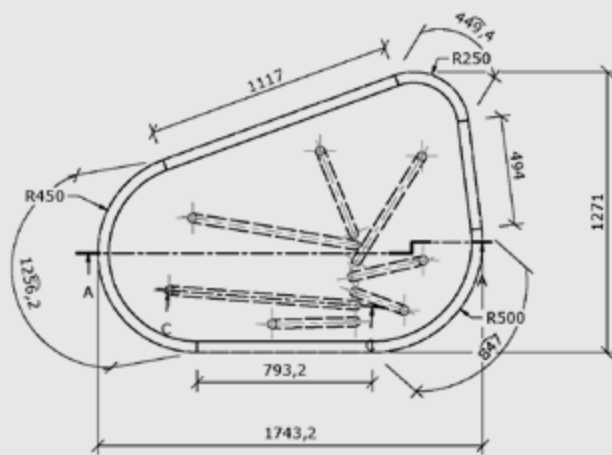
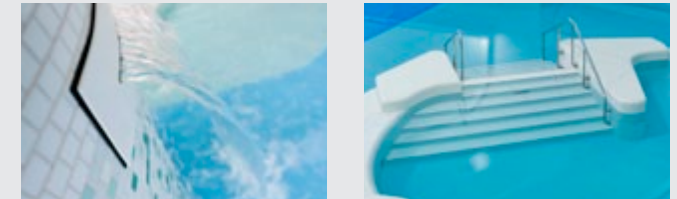
A 1.20 metre high water fountain with numerous radii and internal water-conveying channel.

An organically formed "island" - also with Jacuzzi effect and an overall height of 1.70 metre.

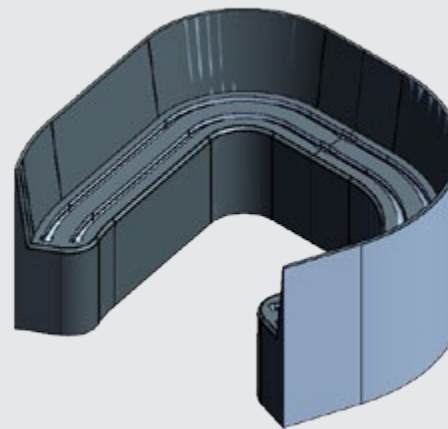
Used Products

Plug & Play Systems

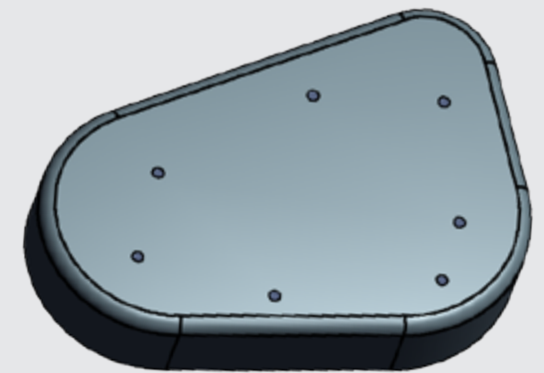
2 form elements incl. water-conveying channel



Customised bench with recesses for pipes



Individual forms including water-conveying channel





Particular requirements

wedi delivers each object to the site on time and as exactly numbered individual elements.

The Imabo tradesmen then just needed to glue the individual elements to each other using wedi adhesive and sealing mass which were produced in strict observance of the release drawings. Following the corresponding reinforcement and sealing, the objects could then be tiled directly.

The installation time was less than 1 month.



